

Fyrfack is almost here!



Information about sorting in the fyrfack (the four-compartment bins) system.





Fyrfack is almost here!

In a short time, fyrfack (four-compartment bin) sorting, the new system for waste management will be introduced. The fyrfack system will enable us to offer better service and make your everyday life more flexible. We will be collecting your food waste and your newspapers, packaging material and electronic waste (e.g. light sources and batteries). You won't need to drive to the recycling station. But first and foremost, this will enable us all to work together for a more sustainable environment.

Sorting trash, however, is not only an important way of protecting people and the environment and conserving resources. As a matter of fact, every resident has a legally-mandated obligation to sort his or her household's wastepaper for recycling, packaging materials, dangerous waste, medicines and bulky refuse. The new system makes it much easier to sort correctly.

When are the bins coming?

The fyrfack system is being introduced gradually. When it's your area's turn, you'll receive additional information by mail. If the service contract you have chosen requires you to replace your bins, we will deal with the bins you currently have, in conjunction with the introduction of the fyrfack system.

Private homes

- Lessebo municipality: the system is introduced
- Tingsryd municipality: the system is introduced
- Växjö municipality: during 2020
- Markaryd municipality: starting in the autumn of 2020
- Älmhult municipality: starting in the spring of 2020

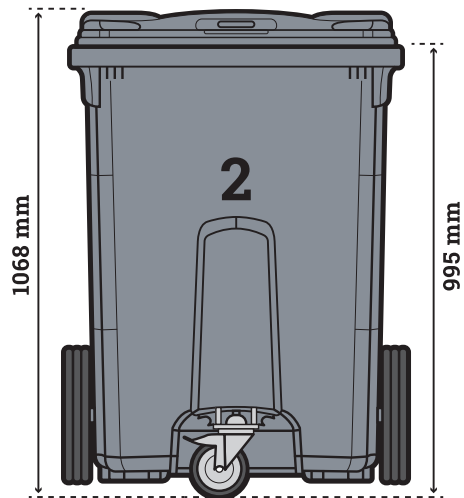
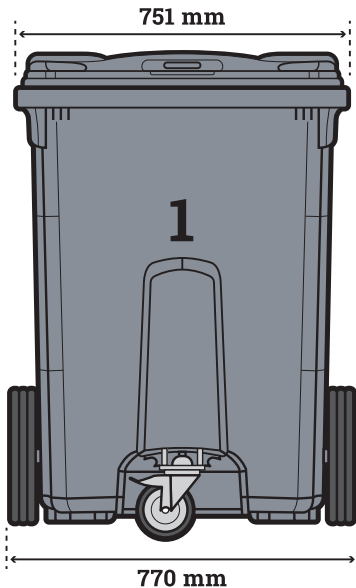
Fritidshus

- Lessebo municipality: spring 2020
- Tingsryd municipality: spring 2020
- Växjö municipality: starting in the spring of 2021
- Markaryd municipality: starting in the spring of 2021
- Älmhult municipality: starting in the spring of 2021



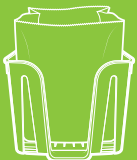
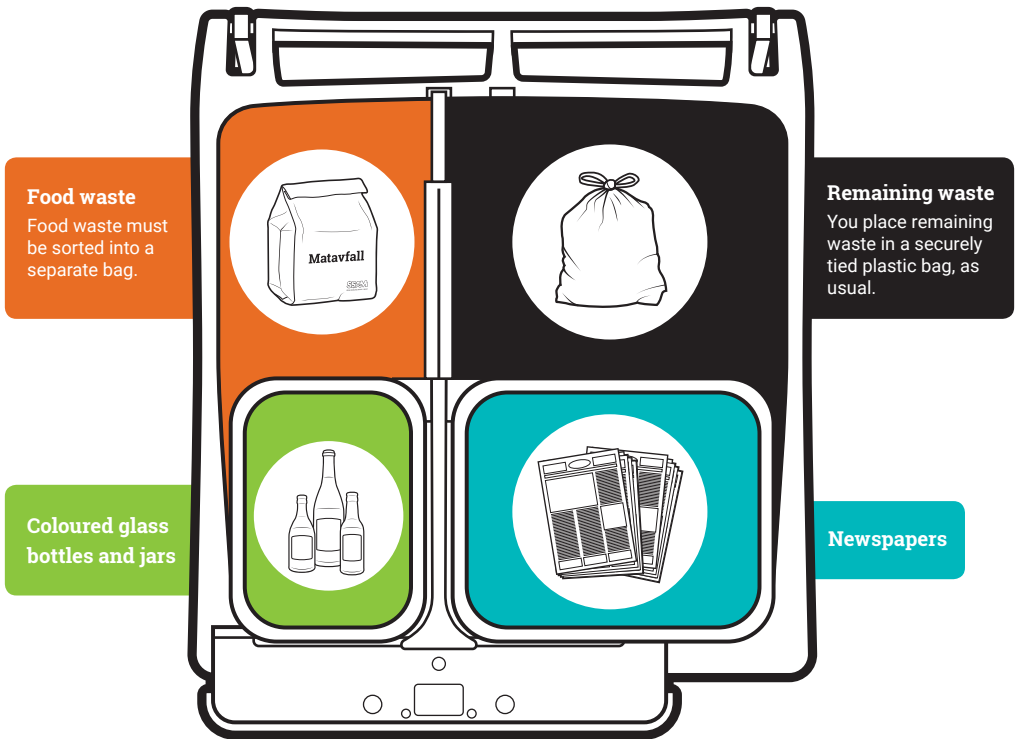
Some facts about the fyrfack bins

- Each bin holds 370 litres.
- Bin 1 is emptied every other week. Bin 2 is emptied once every four weeks. If you have an approved kitchen compost, you can apply for extended collection intervals on bin 1. You can find the application form at ssam.se/blanketter.
- You have the option of ordering an additional bin for remaining waste if you have large volumes of this waste, for example, because of using nappies.
- You can apply to share a service contract with an adjacent neighbour. You each pay your own basic fee, but you split the collection fee. Please note that currently existing shared service contracts will no longer apply after the introduction of fyrfack. You can find the application form for sharing a service contract at ssam.se/blanketter. You can also contact our customer service function.



How to

Bin 1

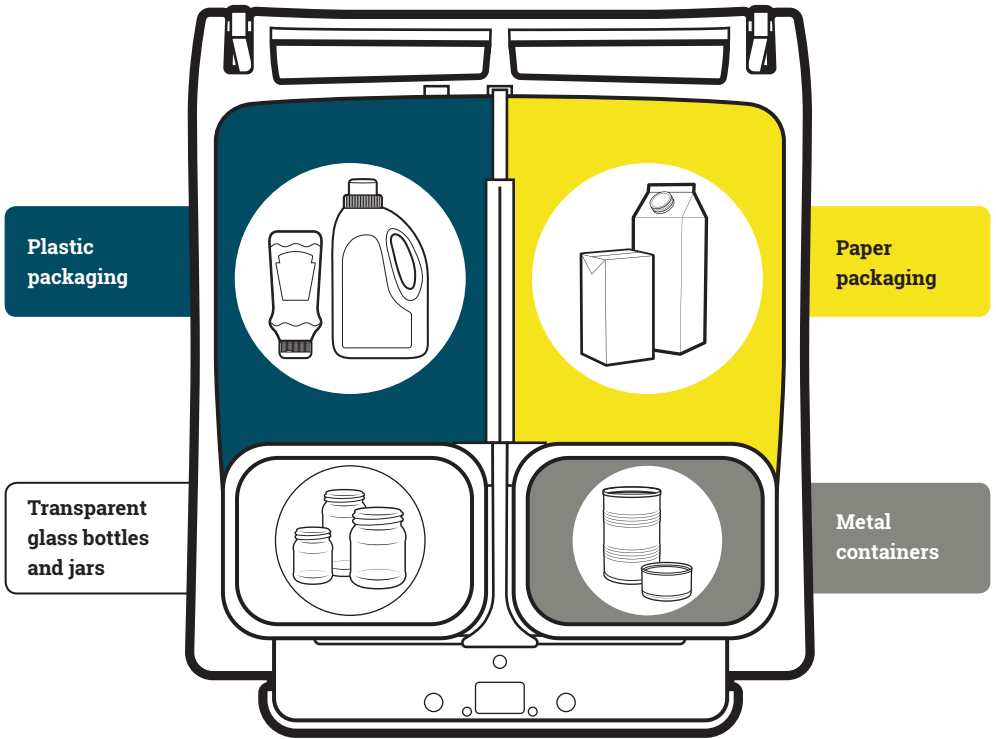


When you need new food waste bags, stick a bag under the lid of your Bin 1 when it is scheduled to be emptied. The driver will then leave a new batch of bags on your bin. You can also pick up new bags at one of our recycling centres.



o sort

Bin 2

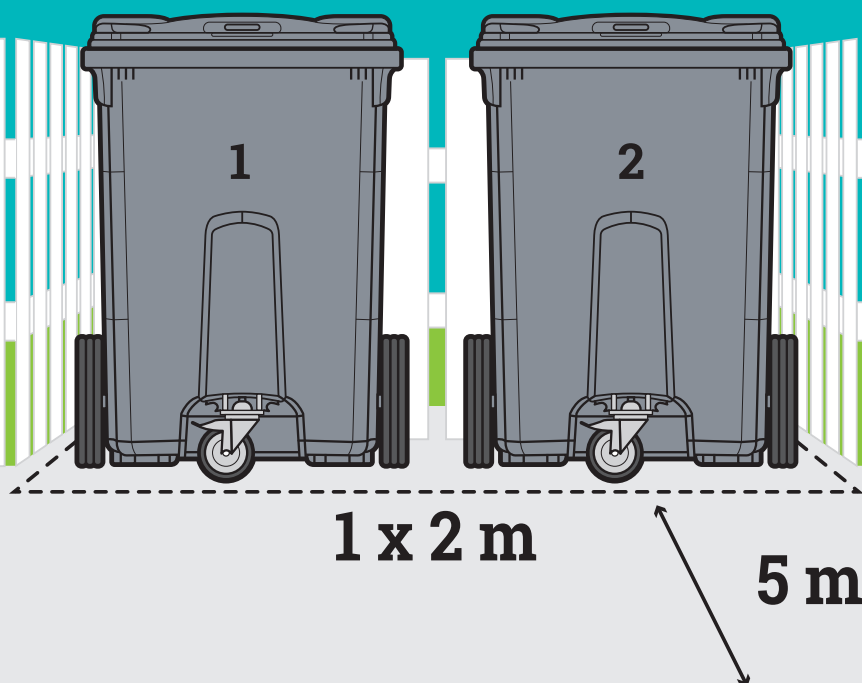


A box for electronic waste (light sources and batteries) can be hung on Bin 2. This should be done only when the box needs to be emptied.

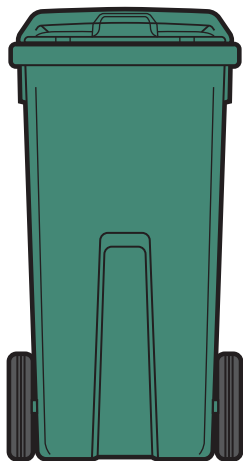


How to put out your bins

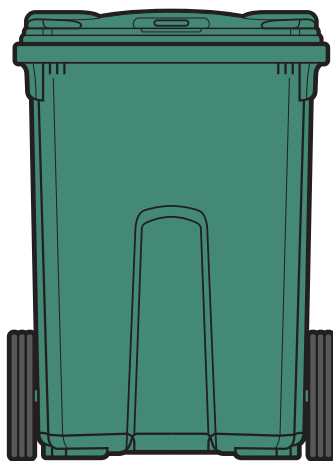
- Put out your bins on a level and stable surface without high edges.
- The area recommended for bins that are meant to stand next to each other is 2 x 1 metre. For bins for garden waste, add one metre. The recommended height of any structure for the bins is 115 centimetres.
- The bins should be placed not more than 5 metres from your property line, no later than 6 a.m. on the date of collection. You can purchase additional distance between the bin and your property line. Read more on ssam.se/placeringavkarl and ssam.se/framkomlighet.
- Remember to shovel snow and sand in the winter.



**190
litres**



**370
litres**



Choice of service contract

If you do not choose *fyrfack*, there is a service contract called unsorted (osorterad). There are two sizes to choose from – 190 litres and 370 litres. All other sizes will be discontinued. You may only use these bins to dispose of remaining waste and food waste. In that case, you will need to continue to take responsibility on your own for the sorting and transporting of your packages, newspapers, batteries and light sources to the recycling centres and recycling stations. The collection intervals that apply to this service contract are included in the price and rates list supplement.

New prices and rates for all the service contracts

With the advent of *fyrfack*, there will be updated prices and rates for all service contracts. These will begin to apply in conjunction with the introduction of the *fyrfack* system in your area. You can find the rates for your municipality on the annexed sheet, but regardless of the service contract you choose, additional information will be sent to your home prior to the introduction of *fyrfack*.

How to choose

You make your choice on our website (see instructions on the annexed sheet). If you aren't able to do this on-line, feel free to contact us at info@ssam.se or by phone at 0470-59 95 00, and we will be glad to help you. The last date to respond can be found in the annexed letter.

*Please not that if you do not communicate your choice, you will automatically be assigned a *fyrfack* service contract.*

Do you want to know more?

We will be arranging ongoing information meetings with examples of the fyrfack bins. You can find the locations and dates of these meetings on ssam.se and on our Facebook page.

Do you have questions or comments about recycling?

At ssam.se, there is both information and in-depth material. You can also choose to e-mail us at info@ssam.se or phone us at 0470-59 95 00.

A different language?

For information in a different language, visit our website ssam.se. At the top right corner of our webpage, you can translate the information into your desired language.



SÖDRA SMÅLANDS AVFALL & MILJÖ